

Stanley.

designed by Hilary Birkbeck



Connection
www.connection.uk.com

A contemporary classic,
Stanley is equally at home
within a traditional or
ultramodern environment.





Stanley has been designed and built with meticulous attention to detail, for assured quality and comfort.

Stanley.

designed by Hilary Birkbeck



Exuding style, quality and character, Stanley makes a striking addition to the executive office or meeting room. Available with a high or medium back, generous proportions and knee tilt mechanism, Stanley is comfortable and versatile.



Specification

High and medium back office chair, silver polished 5 star aluminium base. Plywood outer, upholstered CMHR foam inner shell.

Available with glides or castors.

Gas lift height, back tension and seat tilt adjustment ensure ergonomic comfort.

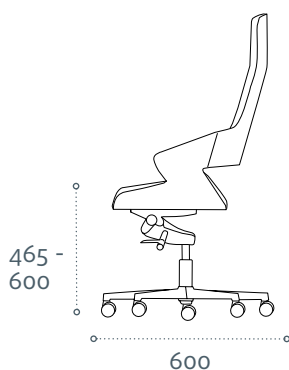
Beech outer shell as standard with special options of walnut or zebrano.

Outer shell finishes

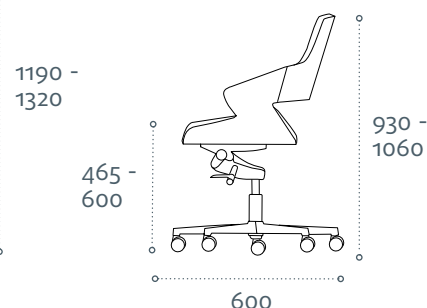


Beech Walnut Zebrano

Please note: Accuracy of printed or on-screen swatches cannot be guaranteed. Please contact Customer Services for wood samples.



Weight: 18.5kg



Weight: 16.8kg